



LANÇAMENTOS

RELEASES

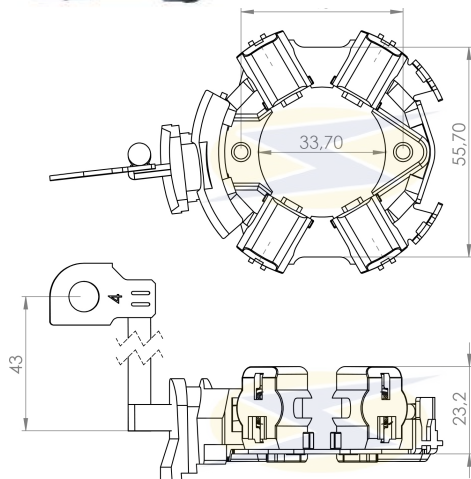
Informativo Técnico

Technical Information

PORTA - ESCOVAS

Brush Holders

UF -1.268/4



ESPECIFICAÇÕES / FEATURES

TIPO/TYPE: PMGR - 12V, 1,7 kW

ESCOVA / BRUSH: 6 x 18 x 12,5 mm (L x A x C / W x H x L)

EQUIVALENTE / REPLACE: BOSCH: 1 004 336 523, 1 004 336 558, 1 004 336 653, 1 004 336 700, 1 004 336 759, 02M 911 209 A, 03G 911 209 B, 1004336598

PARTIDA / STARTER: 0 001 123 016, 0 001 123 017, 0 001 123 036, 0 001 123 037, 0 001 123 044, 0 001 123 045, 02E 911 023 H, 02E 911 023 HX, 02E 911 023 L, 02E 911 023 LX, 02E 911 024 A, 02E 911 023 AX, 0 001 115 089, 0 001 115 079

APLICAÇÃO / APPLICATIONS: AUDI, SEAT, SKODA: Octavia 2.0, VOLKSWAGEN: Touran 1.9 Tdi

UF-1.270/4

ESPECIFICAÇÕES / FEATURES

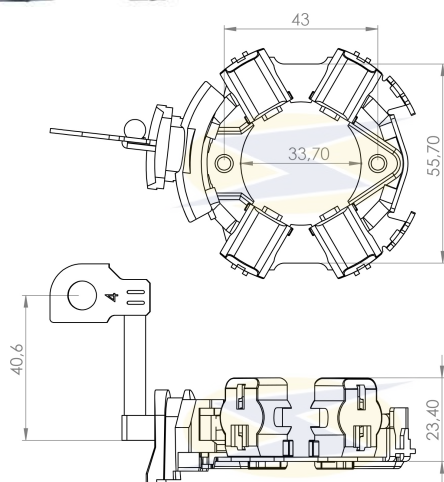
TIPO/TYPE: DW - 12V, 1,7 kW

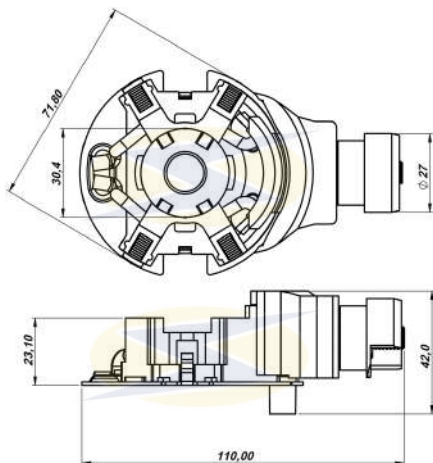
ESCOVA / BRUSH: 6 x 18 x 12,5 mm (L x A x C / W x H x L)

EQUIVALENTE / REPLACE: BOSCH: 1 004 336 513, 1 004 336 522, 1 004 336 553, 1 004 336 584, 1 004 336 591, 1 004 336 663, 1 004 336 677, 1 004 336 678, 1 004 336 754, 1 004 336 792, 1 004 336 798, 1 004 336 876, 1 004 336 890, 1 004 336 899

PARTIDA / STARTER: 0 001 115 008, 0 001 115 021, 0 001 115 025, 0 001 115 040, 0 001 115 041, 0 001 115 045, 0 001 115 048, 0 001 115 078, 0 001 115 081, 0 001 123 002, 0 001 123 003, 0 001 123 024, 0 001 123 025, 012 911 023 E, 012 911 023 F, 012 911 023 G, 012 911 023 GX, 012 911 023 H, 012 911 023 HX, 955 604 107 07 00, 955 604 107 07 010, 955 604 107 07 011

APLICAÇÃO / APPLICATIONS: BMW: 1, 3, 5, 6, 7, X3, X5, X6, MERCEDES BENZ: C class, C class T





UF-1.313/4

ESPECIFICAÇÕES / FEATURES

TIPO/TYPE: 12V

ESCOVA / BRUSH: 4,7 x 11,95 x 11,5 mm (L x A x C / W x H x L)

EQUIVALENTE / REPLACE: MITSUBA

PARTIDA / STARTER: SM74018, SM74012

APLICAÇÃO / APPLICATIONS: **HONDA:** New Fit (2015 ->), New City (2015 ->), New Civic (2012 ->), CRV (2012 ->)

IMPORTANTE / IMPORTANT

É comum ocorrer erro de aplicação neste item, sempre deve ser seguido o número do motor de partida para correta aplicação da peça.

A incorreta aplicação acarretará em danos ao motor de partida.

Application error is common in this item, it is important to always follow the starter number for the correct application of the part.

Incorrect application will result in damage to the starter.

1.313/4

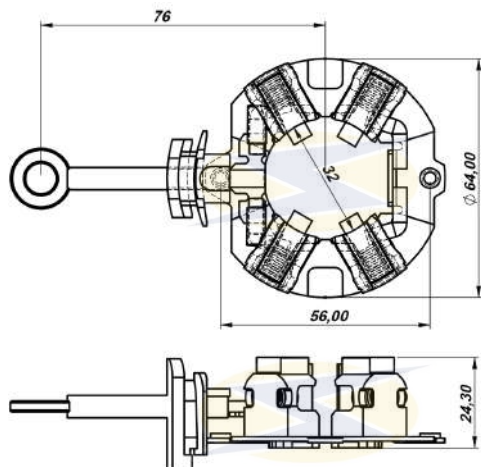


*Detalhe de encaixe do porta-escovas ao mancal é "Redondo".
*Pino 52 mm.

1.216/4



*Detalhe de encaixe do porta-escovas ao mancal é "Quadrado".
*Pino 50 mm.



UF-1.318/4

ESPECIFICAÇÕES / FEATURES

TIPO/TYPE: 12V

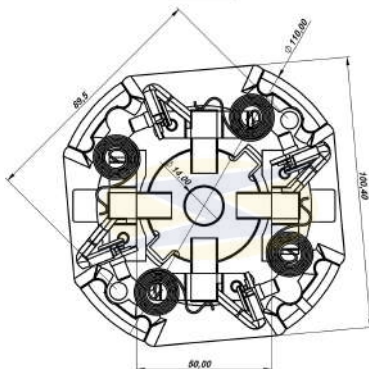
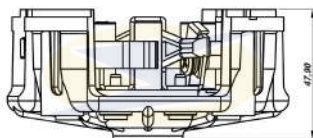
ESCOVA / BRUSH: 5,5 X 18,5 X 10,3 mm (L x A x C / W x H x L)

EQUIVALENTE / REPLACE: DENSO

PARTIDA / STARTER: 28100-0L180, TG438000-1790

APLICAÇÃO / APPLICATIONS: **TOYOTA:** Hilux 1GD (2015) / 2.8 (2016 - 2018)

UF-1.319/4



ESPECIFICAÇÕES / FEATURES

TIPO/TYPE: 12V, 3KW

ESCOVA / BRUSH: 10 x 25 x 23,5 mm (L x A x C / W x H x L)

EQUIVALENTE / REPLACE: MARELLI: 1011743

PARTIDA / STARTER: FIAT: 4702248, 4807375; **MAGNETI MARELLI:** 632 16800, 632 16808, 632 16814, 632 16815, 632 16816, 632 16825, 632 16826, 632 16827, 632 16833, 632 16851, 632 16859, 632 16873, 632 16874, 632 16876, 632 16898, MT62BA, MT68A, MT68AA.

APLICAÇÃO / APPLICATIONS: FIAT: Tratores Séries / Tractor Series: 446, 466, 480, 500, 540, 545B (1971), 550, 566, 570, 580, 600, 640, 650, 666, 680, 670, 750, 780, 850, 880, 900, 1000, L60, L65, L75, L85, L95, 55-46, 60-46, 65-46 (1988), 85-55 (1989), 55-56, 60-56, 65-56 (1990), 70-56, 90-56 (1990), 70-65 (1988 – 1989), 80-65 (1988 – 1989), 45-66, 50-66, 55-66, 60-66, 65-66 (1987), 70-66 (1984), 80-66 (1988), 70-75 (1989), 80-75 (1989), 70-76 (1990), 80-76, 55-85 (1992), 70-86 (1992), 72-86, 82-86, 55-88, 65-88 (1989), 70-88 (1989), 80-88 (1989), 55-90, 60-90, 65-90 (1987), 70-90 (1989), 80-90 (1988), 82-86 (1992), 85-90 (1991), 65-93, 72-93, 82-93, 88-93, 90-93, 95-93, 60-94, 65-94, 72-94, 82-94, 88-94, 8041 (1979), 8061 (1978), FG65A (1984 – 1988).

NEW HOLLAND: Tratores Séries / Tractor Series: 3435, 3935, 4135, 4635, 4835, 5635, 6635, 7635, TL65, TL70, TL80, TL90, TL100, TN55, TN65, TN70, TN75, TN55S, TN60DA, TN60SA, TN65F, TN65S, TN70DA, TN70F, TN70S, TN70SA, TN75DA, TN75F, TN75S, TN75SA, TN80F, TN85FA, TN90F, TN95F, TN95NA, TN95VA, TD60, TD70, TD80, TD85, TD90, TD95, TD55D, TD60D, TD65B, TD65D, TD70D, TD75D, TD80D, TD85D, TD90D, TD95D, 3630, 3830, 4030, 4230, 4330, 4430, 5630, LB75, TK76, TK85, TK100A, TK80A, TK90A, TK95, TK76, LM410, LM420, LM430, LM640, LM425A, TT55, TT75, 3010S, 4010S, 5010S.

UF-1.320/4

ESPECIFICAÇÕES / FEATURES

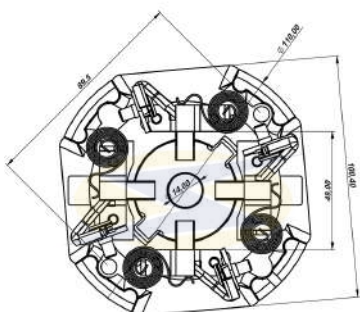
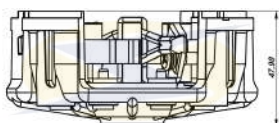
TIPO/TYPE: 24V, 4kW

ESCOVA / BRUSH: 8 x 25 x 23 mm (L x A x C / W x H x L)

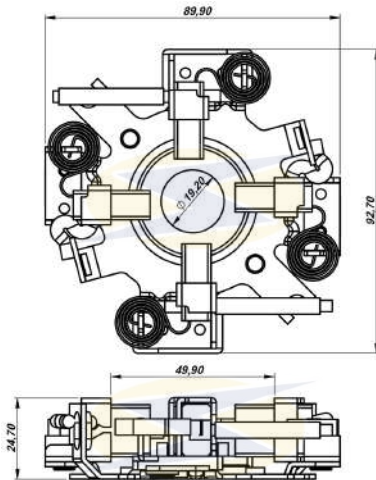
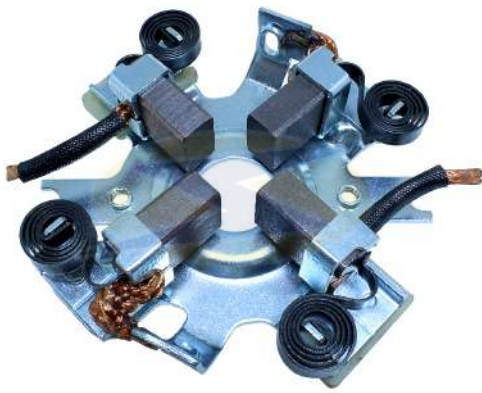
EQUIVALENTE / REPLACE: MARELLI: 72362601

PARTIDA / STARTER: FIAT: 4716026, 4701920, 4699704, 4737756, 4737754, 4807378, 7740560, 77445430, 77050562, 4807379, 42498212, **MAGNETI MARELLI:** MT67A, 63216740010, 63216727010, 63216725010, 63216747010, 63216748010, MT67AB, MT67DB, MT67DA, MT67CA, MT67C, 63216726010

APLICAÇÃO / APPLICATIONS: FIAT: Tratores Séries / Tractor Series: EX 215 W, FR-10B (1985 – 1995), 645B (1971 – 1983), FR100 (1994 ->), FR11 (1985 – 1995), FR130 (1994 ->), FR130.2, FW110 (Todos / All), FW130 (Todos / All), FW90 (Todos / All), 315, 65B, FE12R, FE16, FR7, FR9. Caminhões Séries / Trucks Series: 100F13, 100NC, 110NR, 110NT, 40NC, 50NC, 55NC, 616, 616N3, 616N3/4, 75PC, 79-13, 79F13, 80F13, 80NC, 90F13, 90NC, 90PC. Ônibus Séries / Bus Series: 314-3, **BENFRA:** Tratores Séries / Tractor Series: 10CH, 9.11, 9.12, 9.32, 1.25, 215I, 315, 4.08, 4.10, 4.12, 515, 6CH, 7.08, 8CH, 9.08, 9.09CH, 9.10CH, 9531, **NEW HOLLAND:** Tratores Séries / Tractor Series: LW90 (1999 ->), LW130TC, LW130 (1999 ->), LW110 (1999 ->), 130C, 150C



UF-1.321/4



ESPECIFICAÇÕES / FEATURES

TIPO/TYPE: 12V

ESCOVA / BRUSH: 9 X 16 X 23,5 mm (L x A x C / W x H x L)

EQUIVALENTE / REPLACE: MARELLI: 72164101

PARTIDA / STARTER: 632 171 04, 632 171 05, 632 171 06, 632 171 07, 632 171 08, 632 171 10, 632 171 12, 632 171 16, 632 171 17, 632 171 18, 632 171 19, 632 171 20, 632 171 21, 632 171 25, 632 171 26, 632 171 38, 632 171 47, 632 171 48, 632 171 54, 632 171 56, 632 171 58, 632 171 63, 632 171 73, 632 171 80, 632 171 82, 632 171 86, 632 171 88, 632 171 97, 632 174 01, 632 174 02, 632 174 03, 632 174 04, 632 174 07, 632 174 08, 632 174 10, 632 174 25, 632 174 33, 632 174 47

APLICAÇÃO / APPLICATIONS: **FIAT:** Trator 55.46/55.65/55.66/55.90 (1984 - 1988), Ducato, **IVECO:** 8040 (1987 - 1999), 8041 (1990 - 2000), 8061 (1986 - 2000), 8141 (1991 - 2001), Daily 49.10 2.4D, **RENAULT:** Master 28-35 2.4/2.5D (1980-1989), Traffic 2.5D (1980 - 2001)

UF-1.323/4

ESPECIFICAÇÕES / FEATURES

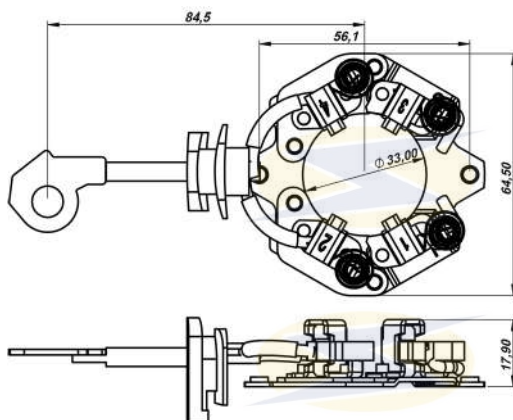
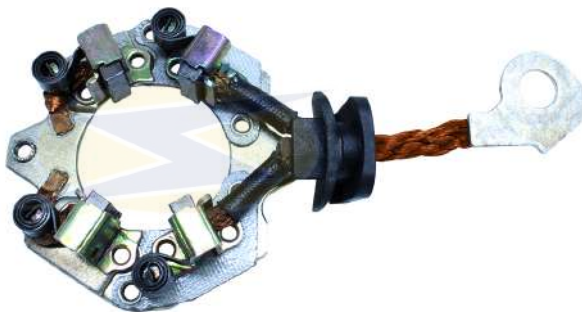
TIPO/TYPE: 12V

ESCOVA / BRUSH: 4,4 X 13,8 X 10 mm (L x A x C / W x H x L)

EQUIVALENTE / REPLACE: DENSO

PARTIDA / STARTER: 428000-0670, 428000-0680, 428000-0700, 428000-1640, 428000-1750

APLICAÇÃO / APPLICATIONS: **BMW:** 525i (2003-2004), 530i (2003-2004), 320i (2003-2005), 325i (2002-2006), 330i (2003-2006), X3 (2004-2006), Z4 (2003-2005), **TOYOTA:** Avensis 1.6 / 2.0 (2003-2009), Corolla 1.6 (2004-2007) / 1.8 (2001-2007)





UF-4.442

ESPECIFICAÇÕES / FEATURES

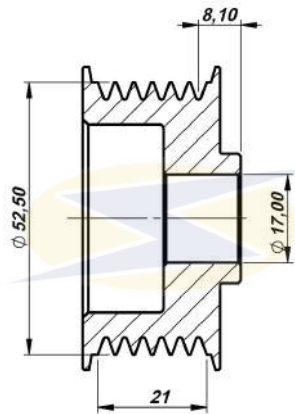
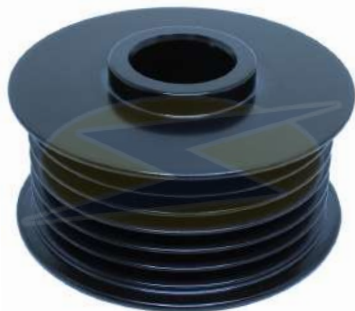
EQUIVALENTE / REPLACE: BOSCH

PARTIDA / STARTER: 0 001 107 477, F 000 AL0 901

APLICAÇÃO / APPLICATIONS: RENAULT: Clio 2.0 Sport, Duster 2.0 16V Hi-Flex / Hi-Flex 4x4, Espace 2.0 / Turbo, Fluence 2.0 GT Laguna 2.0 TCe Grandtour / 2.0i 16V, Mégane 2.0 16V / Cabrio / Grandtour 16V, Scénic 2.0 16V / 2.0i 16V, Trafic 2.0

POLIA

Pulley



6 canais/grooves

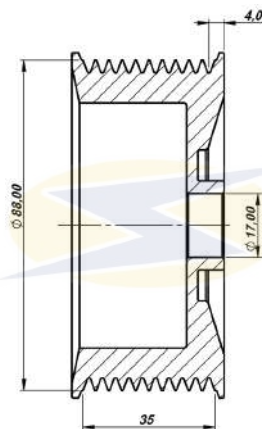
UF-3.444

ESPECIFICAÇÕES / FEATURES

EQUIVALENTE / REPLACE: 27411 OY260

PARTIDA / STARTER: FG9T014 / FG9T017

APLICAÇÃO / APPLICATIONS: TOYOTA: Etios 1.3 e 1.5 (2012 à 2016)



10 canais/grooves

UF-3.447

ESPECIFICAÇÕES / FEATURES

EQUIVALENTE / REPLACE: MITSUBISHI

PARTIDA / STARTER: MITSUBISHI: A004TR5691, A004TR5691ZT, A004TR5491, **ZM:** 90.302.01, 90.302.02, **SCANIA:** 1884268, 1888010, 573015, SC0573015.

APLICAÇÃO / APPLICATIONS: SCANIA: G 440 1633 12.7L com motor DC 13.10 (2008), G 480 com motor DC13.07 12742ccm (2008-2015), P 480 com motor DC13.07 12742ccm (2008-2015), R 480 com motor DC13.07 12742ccm (2008-2015), Serie 5 (2010), Serie 6 (2010).